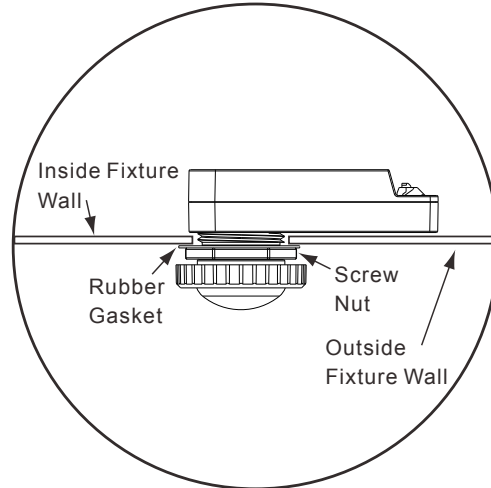


⚠ WARNING: May result in serious injury or death. Turn off power at circuit breaker before installing the unit.

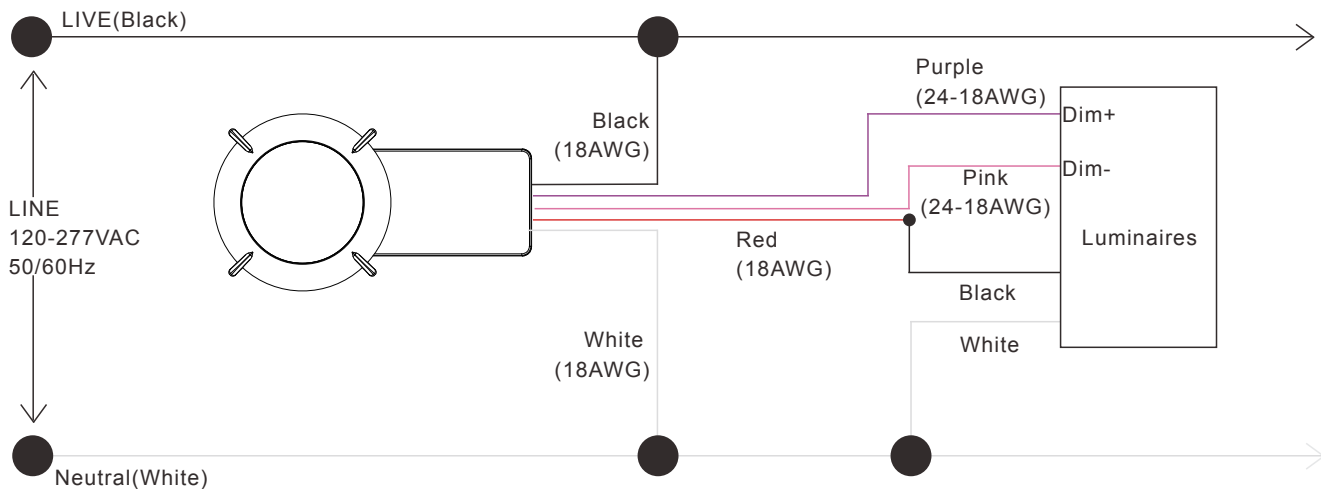
Attention: pour éviter un incendie, un choc électrique ou la mort. Coupez l'alimentation au disjoncteur ou au fusible et testez que l'alimentation est coupée avant le câblage

INSTRUCTIONS

1. Please call a licensed electrician for installation.
2. Drill a hole 1.30" (33.0mm) in diameter through the fixture housing.
3. Screw in the sensor into the receptacle and make sure the connection is tight. Ensure the rubber gasket touches the outside surface of the fixture.
4. Attach the lens to sensor and turn the lens module clockwise to ensure it locks in place.
5. Please refer below diagram for Wiring.
6. Return power back to source.
7. Commissioned the sensor via BlueMesh App.



WIRING



TIPS: This Bluetooth device is compatible with BlueMesh lighting control system only.

WARRANTY

Our company warrants this product to be free of defects in materials and workmanship for a period of five(5) years. There are no obligations or liabilities on the part of our company for consequential damages arising out of, or in connection with, the use or performance of this product or other indirect damages with respect to loss of property, revenue or profit, or cost of removal, installation or reinstallation.